

## Vacuumisolated Transfer lines for KONTI-Cryostats

### Description

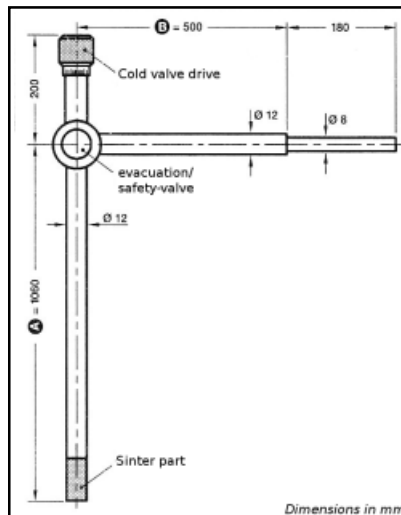
Vacuum isolated transfer lines for KONTI-Cryostats are available in different versions – rigid or semiflexible L-Type or U-Type transfer lines (see figure)

All versions are equipped with a cold valve and a combined evacuation/safety-valve as standard. The cold valve enables besides the complete shut-off also a reproducible dose function, for this reason a scale is provided on the cold valve.

The semiflexible versions of vacuum isolated transfer lines (see lower figures) enable a mechanical decoupling, a level compensation and adjustment among each part thanks to their special intermediate piece. For KONTI-Transfer lines, a capillary is used as the inner tube – hence changes in length of the semiflexible transfer lines need to be checked accurately because of possible damaging (bend radius 600 mm).

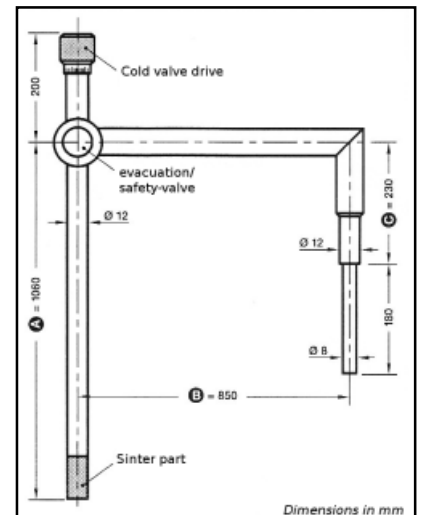
The transfer lines are verified in cold and warm state factory-wise. KONTI-Transfer lines have the following specifications:

- Low consumption
- Superinsulated
- Constant flow rate
- Re-evacuatable
- Custom dimensions available for a small charge (in case of order please specify dimensions A, B, C, and Ø of the dewar part)
- Special versions for exclusive LN<sub>2</sub> use available (please remark in case of order)



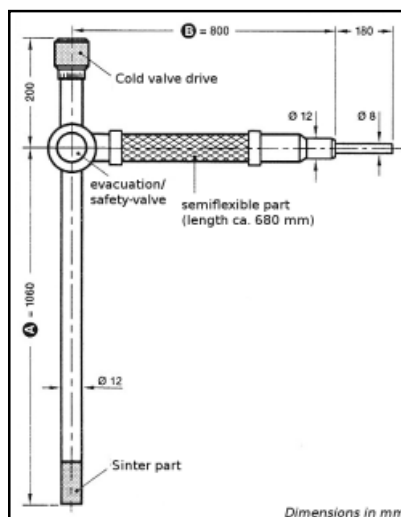
### L-Type

Order-No. L-2035



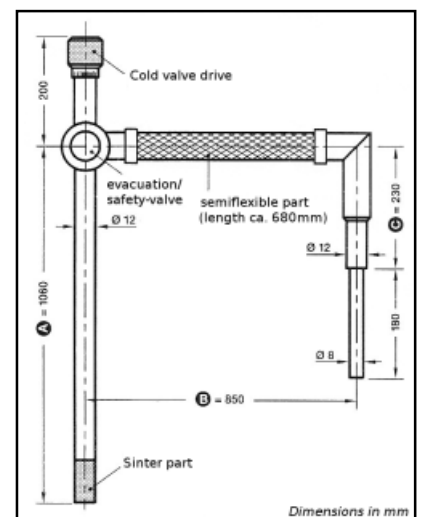
### U-Type

Order-No. L-2036



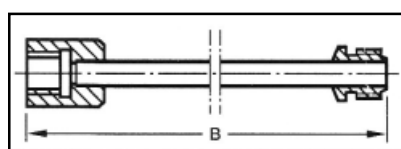
### L-Type

Order-No. L-2033



### U-Type

Order-No. L-2034



Extension part – Order-No.: Z-1465-E

If the mounting depth in case of bigger supply vessels is not sufficient, the extension piece (please specify dimension B) can be mounted on the vessel side instead of the sinter part. Finally the sinter part is being mounted on the extension piece.